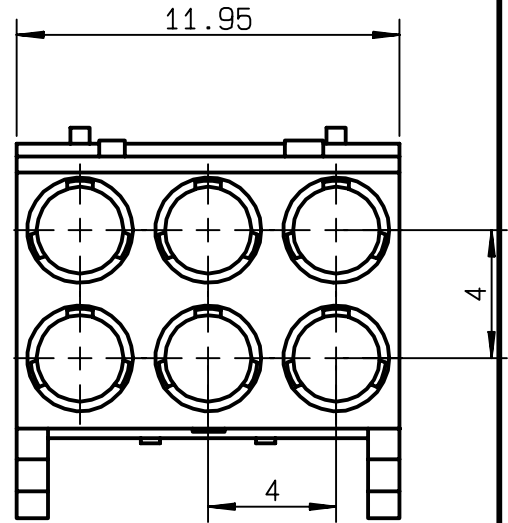
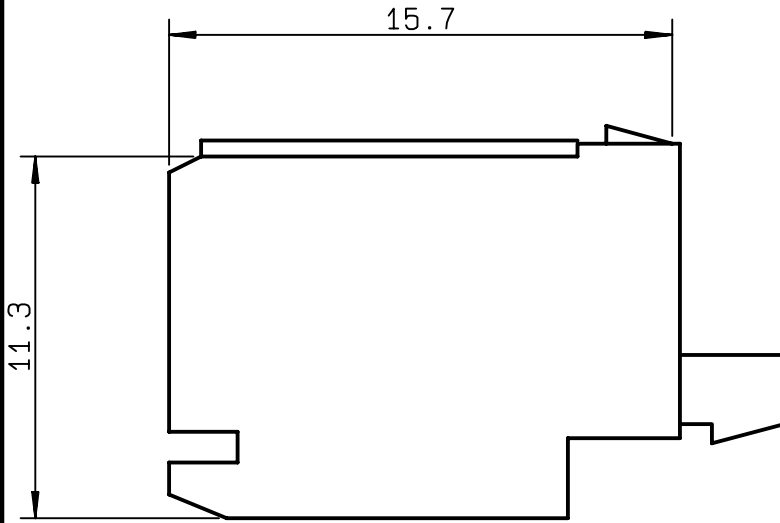


**STRAIGHT FEMALE HOUSING
FOR CABLE ASSEMBLY**

R694.262.056
SERIES MCC2



NOMINAL IMPEDANCE	NA	Ω
FREQUENCY RANGE	NA	GHz
TEMPERATURE RATING	-25/+125	$^{\circ}\text{C}$
V.S.W.R	NA +	0 x F(GHz)Maxi
RF INSERTION LOSS	NA	\sqrt{F} (GHz) dB Maxi
VOLTAGE RATING	NA	Veff Maxi
DIELECTRIC WITHSTANDING VOLTAGE	NA	Veff Mini
INSULATION RESISTANCE	NA	M Ω Mini
HERMETIC SEAL	NA	Atm.cm ³ /s
LEAKAGE (pressurized only)	NA	
MECHANICAL DURABILITY		Cycles
WEIGHT	1.7	gr
SPECIFICATION		

CABLES :	
OTHERS CHARACTERISTICS	
CABLE RETENTION	NA N Mini
CENTER CONTACT RETENTION	
Axial force - mating end	NA N Mini
Axial force - opposite end	NA N Mini
Torque	NA cm.N Mini
RECOMMENDED TORQUES	
Mating	NA cm.N
Panel nut	NA cm.N
Clamp nut	NA cm.N

CONNECTOR PARTS:	MATERIALS	FINISH	(all values are given) in micrometers
BODY			
OUTER CONTACT			
CENTER CONTACT			
INSULATOR			
GASKET			
OTHERS PIECES	LIQUID CRISTAL POLYMER		

ISSUE 0234B00	CREATION DATE 06/10/1995	FILE PART-NUMBER
-------------------------	------------------------------------	------------------



RADIALL[®]

Connect to the future

The information given here is subject to change without notice.
Design changes may be in order to improve the product .

BAFFERT